



I - TRAC

No Fuss Event Hire have you covered in any event

NO
FUSS **EVENT**
HIRE

PART OF **MOJO** RENTAL GROUP

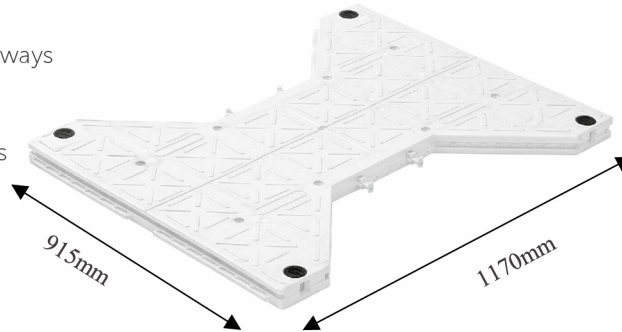
I - TRAC

Professional Grade Temporary Roadway

I-Trac is a state-of-the-art modular infrastructure system that enables vehicular traffic over inhospitable or unsafe ground. I-Trac features a patented interlocking design that creates a contiguous surface capable of carrying extreme loads over virtually all ground conditions. The advantage that I-Trac offers in comparison to alternative products is its extreme strength to weight ratio. Each panel weighs only 15 kgs and is manually deployable. Secured by an inbuilt connecting device, I-Trac is completely man-handleable and installation is quick and easy, requiring no special skills or equipment.

APPLICATIONS:

- ▶ Equipment Access Roadways
- ▶ Outdoor Pathways
- ▶ Temporary Parking Areas
- ▶ Stage Bases
- ▶ Military



SPECIFICATIONS:

- ▶ Panel Size 1.2m x .92m x .055m (L x W x H)
- ▶ Panel Area 0.8 sq m
- ▶ Panel Weight Panel Weight = 15.6 kg
- ▶ Load Capacity 200,000 kg/ sq m
- ▶ Colour Translucent White



AVAILABILITY:

NSW	9/3-13 Marigold Street Revesby, NSW 2212
VIC	9-15 Battery Court, Cranbourne West, VIC 3977
QLD	5-7 Calcium Court, Crestmead, QLD 4132

NO FUSS **EVENT HIRE**

PART OF **MOJO** RENTAL GROUP

Phone: 03 9212 2500

Email: info@nofusseventhire.com.au

Web: www.nofusseventhire.com.au